

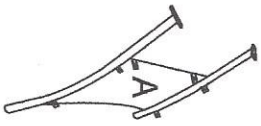
ASSEMBLY INSTRUCTION

# ROUND 70 CM TABLE

## FOR ROUND TABLE WITH FLAT WICKER

### Part list

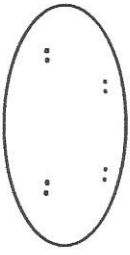
Please check to assure all items listed below available before assembly



→ A=2



→ B=2





→ C=1



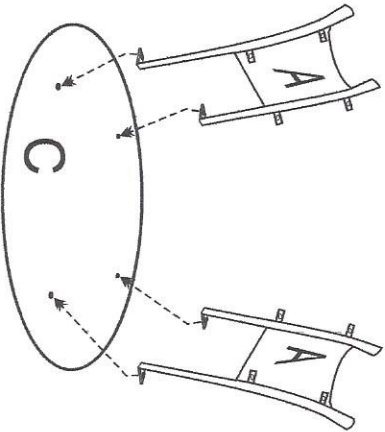
→ D=1

### HARDWARE LIST

①		M6 X 25	12
②		4 X L4	1

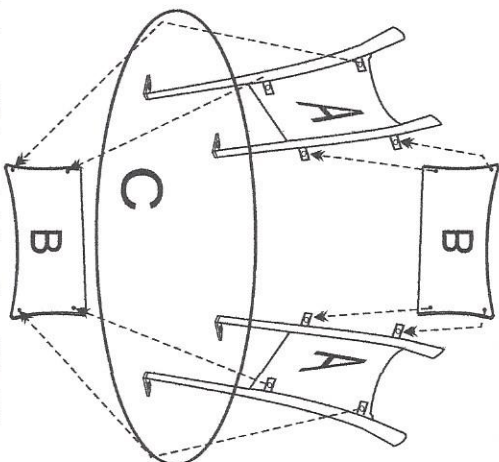
### Assembly process

Step 1



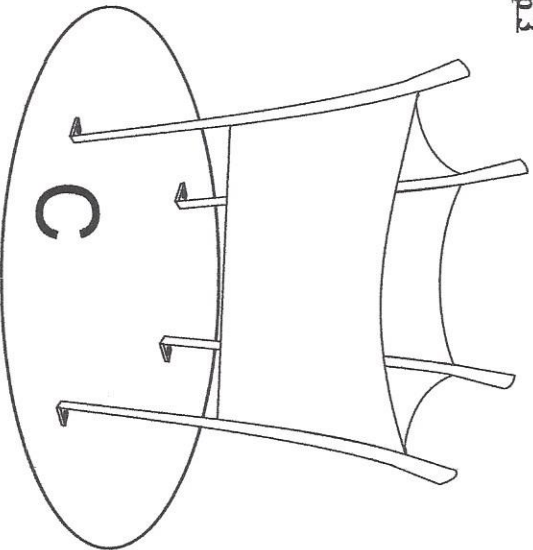
Attached Parts A to the table top insuring that the bolts are kept loose to insure that the side panels can be fitted

Step 2



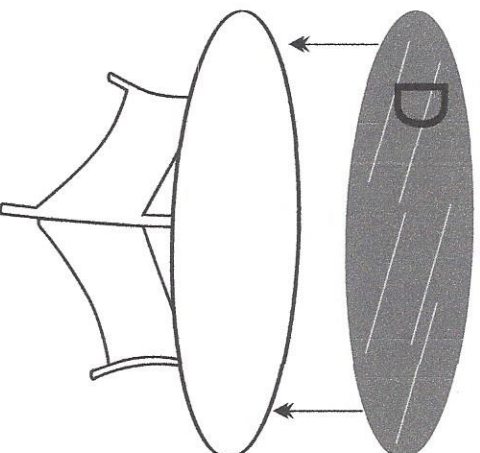
Attach part B to part A keeping all bolt loose

Step 3



Tighten all bolts

Step 4



Place glass on top of table