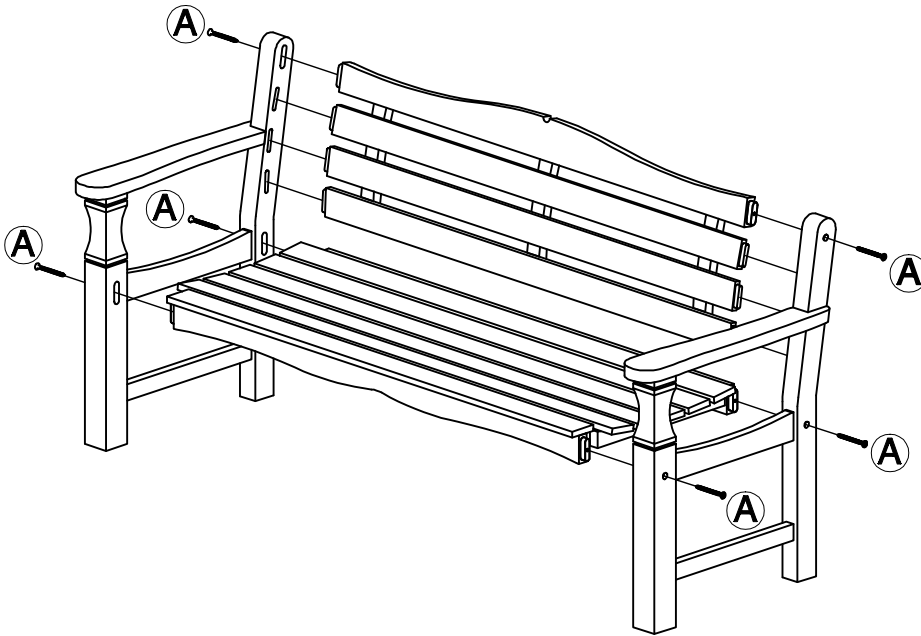

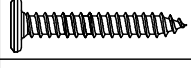




ASSEMBLY INSTRUCTIONS

Step 1



| No. | HARDWARE LIST | QTY |
|-----|---|-------|
| A |  7x90 mm | 6 Pcs |
| B |  7x35 mm | 4 Pcs |
| C |  Cap | 6 Pcs |
| |  ALLENKEY M4 | 1PC |

Step 2

